



[www.oasisoutdoorproducts.ca](http://www.oasisoutdoorproducts.ca)

844.932.2680



# REVOLUTIONARY ADJUSTMENT POLYMER GATE HINGES

---

FOR: WOOD - METAL - VINYL

# SHN-90L Neutral Tension Hinge

60 pairs per case

ALFAHINGE 



## NEUTRAL TENSION GATE HINGE WITH LEGS

**ALFAHINGE** 

PERFECT FOR:

-  METAL GATES
-  WOOD GATES

-  FAST & SIMPLE INSTALLATION
-  PERFECT FOR SIDE GATES
-  RESISTANT TO EXTREME WEATHER
-  BUILT TO LAST

-  LIFETIME WARRANTY
-  CYCLE TESTED
-  PATENT PROTECTION

**SMALL... RELIABLE... STYLISH!**

SETTING TOMORROW'S STANDARDS TODAY

**safeTECH**   
HARDWARE  
[safetechhardware.com](http://safetechhardware.com)





# FIXED TENSION GATE HINGE WITH LEGS

ALFAHINGE

PERFECT FOR:



METAL  
GATES



WOOD  
GATES

- FAST & SIMPLE INSTALLATION
- PERFECT FOR SIDE GATES
- RESISTANT TO EXTREME WEATHER
- BUILT TO LAST



LIFETIME  
WARRANTY



CYCLE  
TESTED



PATENT  
PROTECTION

MINI SELF-CLOSING  
**SOLUTION**

safetech  
HARDWARE

SETTING TOMORROW'S  
STANDARDS TODAY

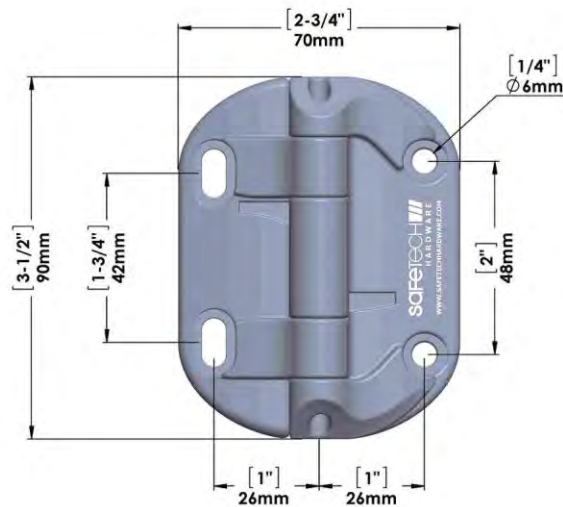
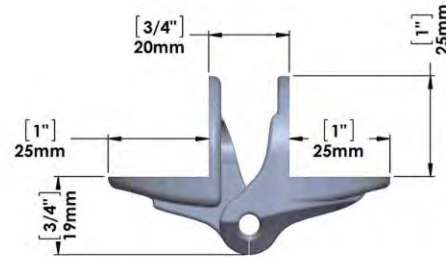
safetechhardware.com



**SHN-90L**  
Neutral Tension Gate  
Hinge

**SHF-90L**  
Fixed Tension Gate  
Hinge

- Holding Weight 61 lbs
- Closing Weight 33 lbs





# SHG-90L Adjustable Tension Gate Hinge

60 pairs per case

**TOPKLIK** 



**ADJUSTABLE TENSION & SELF-CLOSING GATE HINGE WITH LEGS**

**TOPKLIK** 

PERFECT FOR:

-  METAL GATES
-  WOOD GATES

-  FAST & SIMPLE INSTALLATION
-  COMPLIANCE WITH POOL SAFETY STANDARDS
-  UNIQUE 8-LEVEL TENSION ADJUSTMENT
-  RESISTANT TO EXTREME WEATHER

**EASIEST IN THE WORLD TO ADJUST**

 LIFETIME WARRANTY

 CYCLE TESTED

 PATENT PROTECTION

**safeTECH**   
HARDWARE

SETTING TOMORROW'S STANDARDS TODAY

[safetechhardware.com](http://safetechhardware.com)



# SHG-90L

- Holding Weight 154 lbs
- Closing Weight 99 lbs





# SHH-135LS Heavy Duty Adjustable Tension Hinge

20 pairs per case

MEGA KLIK 



**MEGA KLIK**

## HEAVY DUTY GATE HINGES

**EASY TO FIT  
SIMPLE TO ADJUST!**

**HOLDS 500 KILOS**

**EASY TENSION ADJUST**

**NOT POOL SAFE**

- ✓ The most heavy duty adjustable polymer hinge on the market
- ✓ The ideal hinge for pedestrian and boundary gates
- ✓ Hardwearing in high traffic areas

**G8SAFE** .com.au

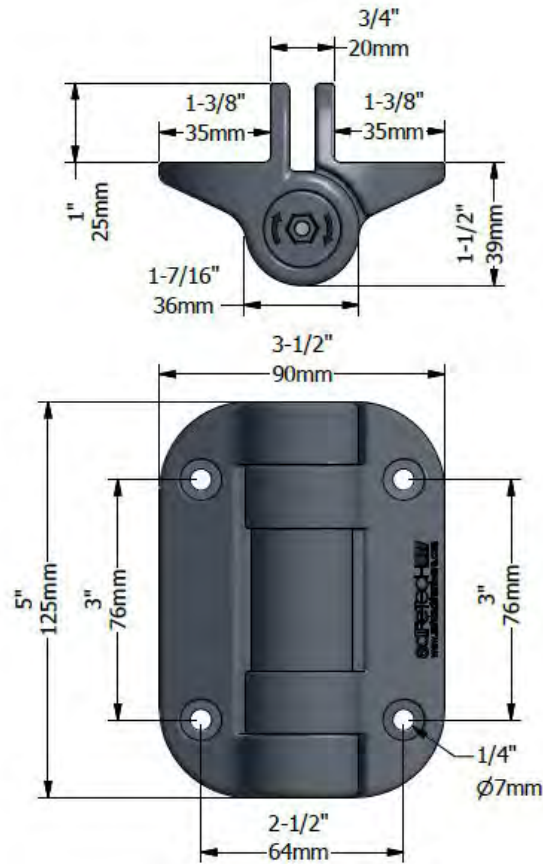
scan for more about g8safe





# SHH-135LS

- Holding Weight 900 lbs
- Closing Weight 187 lbs



# SHC-135 Heavy Duty Adjustable Gate Hinge - SUPER

12 pairs per case



## WORLD'S FIRST FULLY SELF-ALIGNING VINYL GATE HINGE

CoilKLIK self-aligning vinyl gate hinge has a patented coil-based system allowing installers to insert the supplied cordless drill bit or Allen key into the side of the hinge and quickly adjust it to the perfect horizontal position. CoilKLIK internal design works with the gate when it changes angles during horizontal adjustment. No stresses are applied to the hinges and the gate.

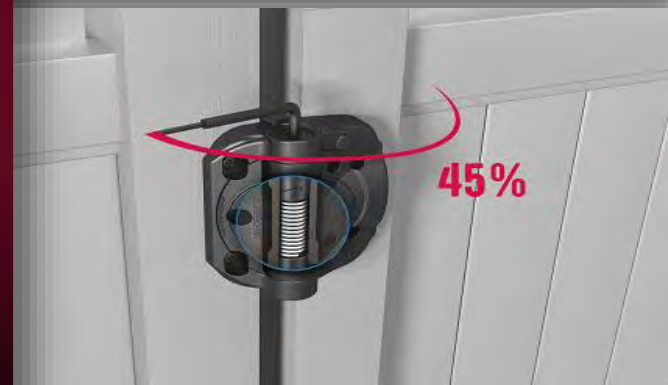


**i** ONCE THE ADJUSTMENT IS COMPLETED THE SAME ALLEN KEY IS USED TO INCREASE OR DECREASE THE HINGE SELF-CLOSING TENSION.



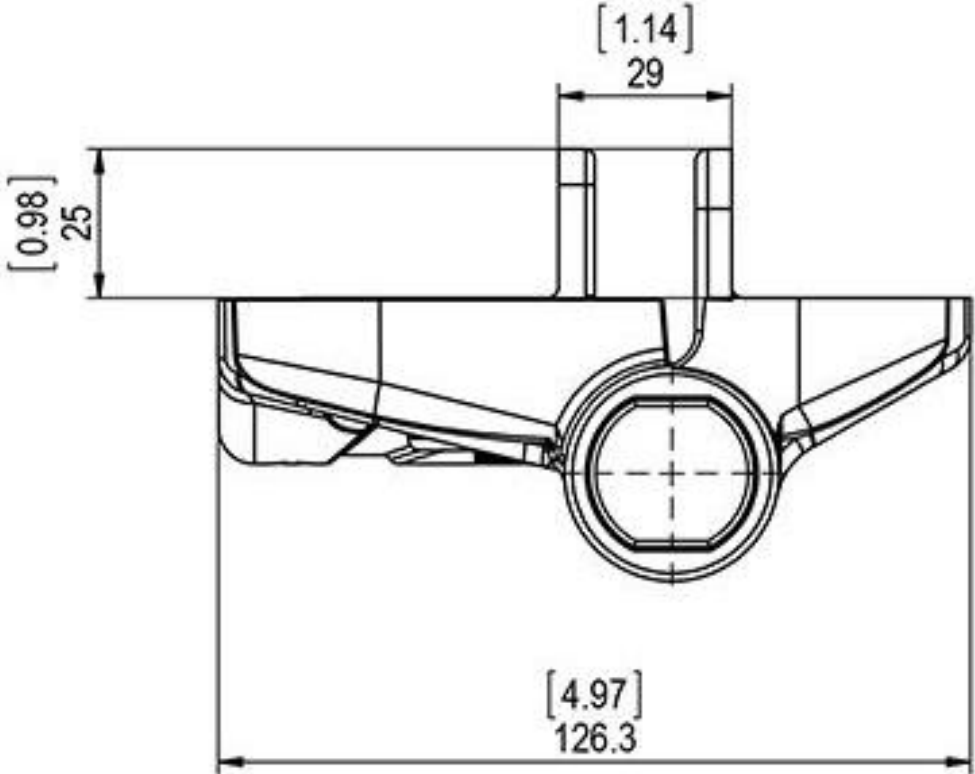
877 778 7559  
www.safetechhardware.com

safetech  
HARDWARE



# SHC-135 SUPER

- Holding Weight 900 lbs
- Closing Weight 187 lbs







## AWARD WINNING GATE LATCHES

FOR: WOOD - METAL - VINYL

---

# X1 Gravity Gate Latch – Single Side

20 sets per case **VIPERLATCH** 



## VIPER GRAVITY LATCH SINGLE SIDED



**INSTALLATION HAS NEVER BEEN EASIER**

**VIPERLATCH** 

PERFECT FOR:

-  METAL GATES
-  VINYL GATES
-  WOOD GATES

- UNIQUE LATCHING MECHANISM - NO GUIDING MEANS
- FAST & SIMPLE INSTALLATION
- ADVANCED CATCHING SYSTEM
- ADJUSTABLE VERTICALLY & HORIZONTALLY

 LIFETIME WARRANTY

 CYCLE TESTED

 PATENT PROTECTION

**safetech**   
HARDWARE

[safetechhardware.com](http://safetechhardware.com)

SETTING TOMORROW'S STANDARDS TODAY





# X2 Gravity Gate Latch – Double Sided

20 sets per case



## VIPER GRAVITY LATCH DOUBLE SIDED

**FRONT & BACK LOCKABLE**



**VIPERLATCH**

PERFECT FOR:

- METAL GATES
- VINYL GATES
- WOOD GATES

- UNIQUE LATCHING MECHANISM - NO GUIDING MEANS
- FAST & SIMPLE INSTALLATION
- ADVANCED CATCHING SYSTEM
- ADJUSTABLE VERTICALLY & HORIZONTALLY

**INSTALLATION HAS NEVER BEEN EASIER**

LIFETIME WARRANTY    CYCLE TESTED    PATENT PROTECTION

**safeTECH** HARDWARE  
safetechhardware.com

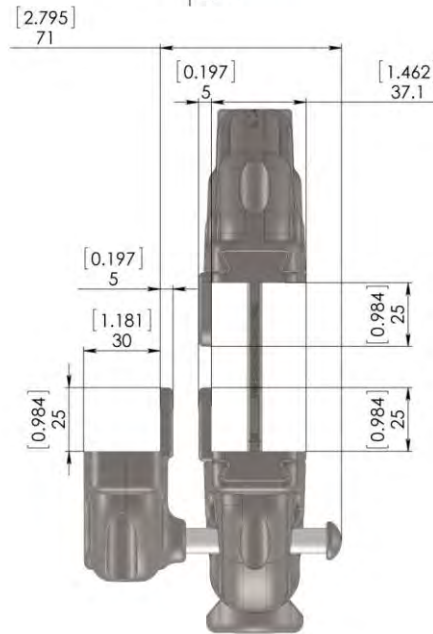
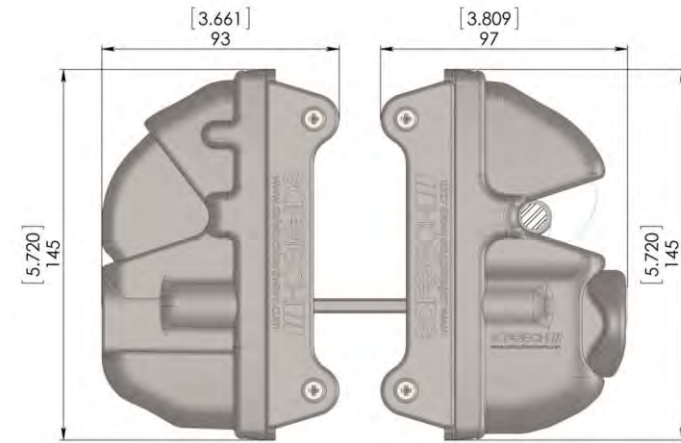
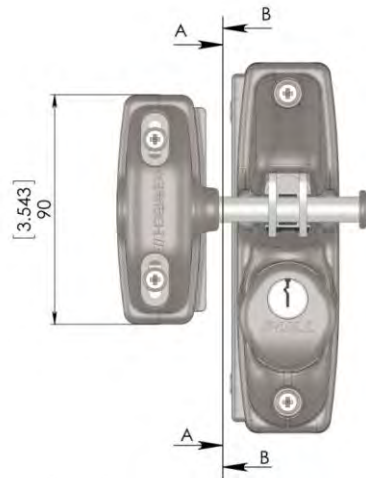
SETTING TOMORROW'S STANDARDS TODAY





**X1 – SLV-VIPER  
Single Side**

**X2 – SLV-VIPER  
Double Side**



SECTION A-A

SL-25 10" Magnetic Gate Latch  
25 sets per case

**PEDESTRIAN**  
 **GATE LATCH**

**IDEAL FOR**  
**PET**  
ENCLOSURES

**FAST & SIMPLE INSTALLATION**

**PERFECT FOR GARDEN & PET GATES**

**RESISTANT TO EXTREME WEATHER**

**NEXT GENERATION LATCHING SYSTEM**

**PERFECT FOR:**

-  METAL GATES
-  VINYL GATES
-  WOOD GATES

 **LIFETIME WARRANTY**

 **CYCLE TESTED**

 **PATENT PROTECTION**

**KLATCH**

**SAFETECH**  
HARDWARE

SETTING TOMORROW'S  
STANDARDS TODAY

[safetechhardware.com](http://safetechhardware.com)



# SL-25





# SL-50H 22" Magnetic Pool Gate Latch

25 sets per case

**KEY LOCKABLE  
POOL GATE LATCH**

by **SAFETECH** HARDWARE

**SAFERLATCH**

**safetech** HARDWARE  
**SL-50H**

- KEY LOCKABLE
- CHILD PROOF DESIGN
- COMPLIES WITH POOL SAFETY STANDARDS
- MAGNETIC SELF-LATCHING SYSTEM
- SLEEK STYLISH DESIGN

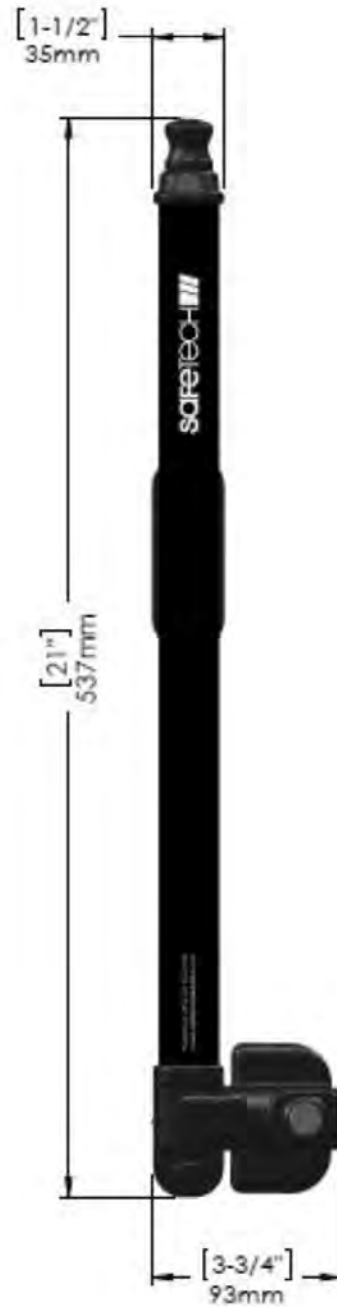
**LIFETIME WARRANTY** **TESTED** **IP**  
LIFETIME WARRANTY CYCLE TESTED PATENT PROTECTION

Manufactured by SAFETECH HARDWARE



**SAFERLATCH**

# SL-50H



## M.LATCH Metal Gate Latch

100 sets per case **SAFERLATCH** 





# GATE HANDLE

**DURABILITY  
& ELEGANCE  
IN ONE**

PERFECT FOR:

- FAST & SIMPLE INSTALLATION
- GENEROUS HAND CLEARANCE
- RESISTANT TO EXTREME WEATHER
- ADAPTS TO LEFT & RIGHT SIDED OPENING GATES



CYCLE TESTED



LIFETIME WARRANTY



PATENT PROTECTION



METAL GATES



VINYL GATES



WOOD GATES

SETTING TOMORROW'S  
STANDARDS TODAY

**safetech**  
HARDWARE

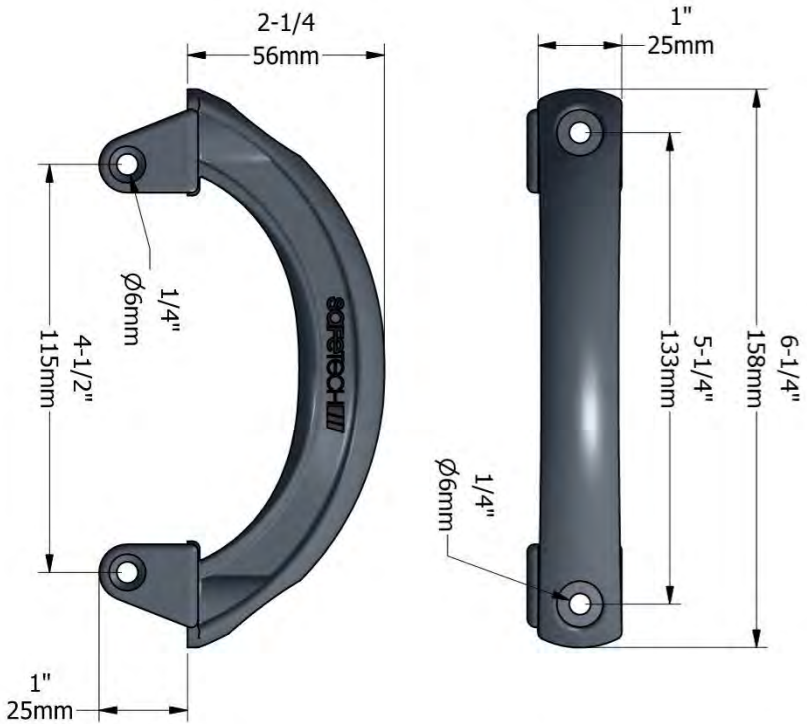
[safetechhardware.com](http://safetechhardware.com)

## SHDL-150 Gate Handle

100 pcs per case



# SHDL-150





# SGSS Gate Stops

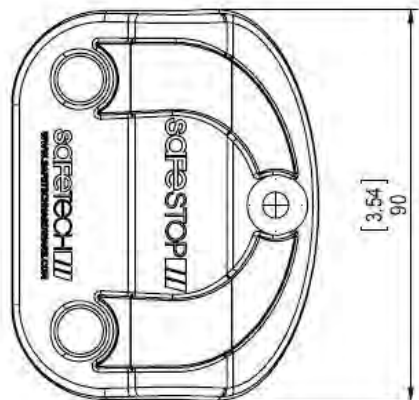
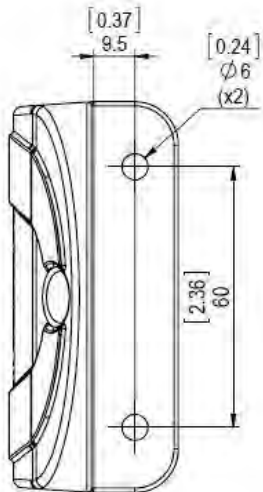
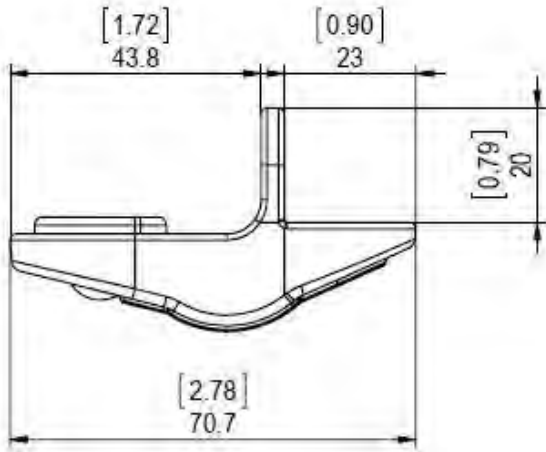
(Small) 100 sets per case

(Large) 50 sets per case

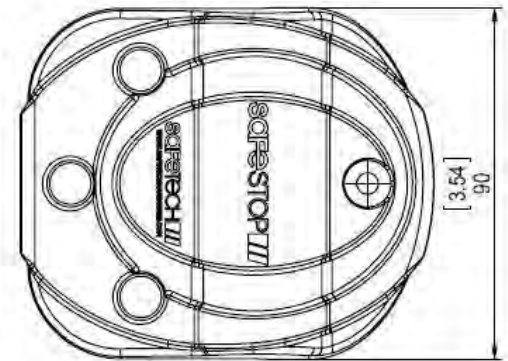
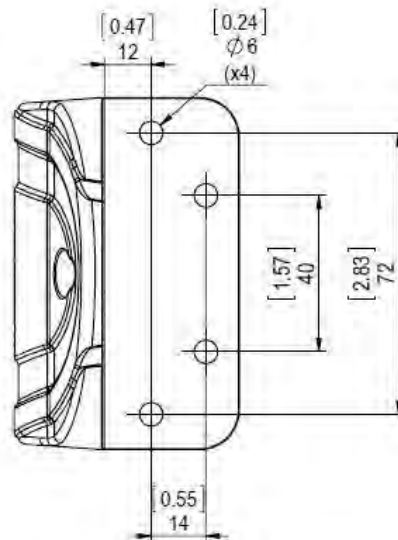
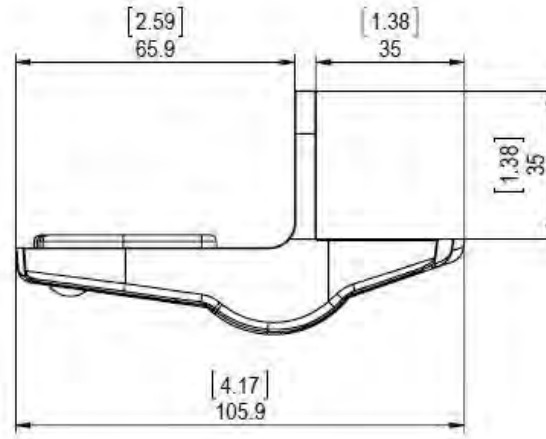




# SGSS Small Gate Stop



# SGSL Large Gate Stop



Oasis Outdoor Products

[www.oasisoutdoorproducts.ca](http://www.oasisoutdoorproducts.ca)

Tel: 844.932.2680